

Watch-DOS[®] as INTELLIGENT DOSING

The complete dosing solutions

DOSING PUMPS

Watch[®] dosing and control equipment keeps Drinking water, Hot water, Boiler water, Heat exchangers, Steam boilers, Cooling towers, Reverse Osmosis units running, safely and efficiently.



Watch[®] Water is the manufacturer of **I-SOFT[®]** Antiscalant, one of its kind in the world, which keeps scale and corrosion away from any application such as boiler, cooling water or membrane treatment. An effective dosing system to control your scale and corrosion problems is only to dose with water meters.

WATER METERS



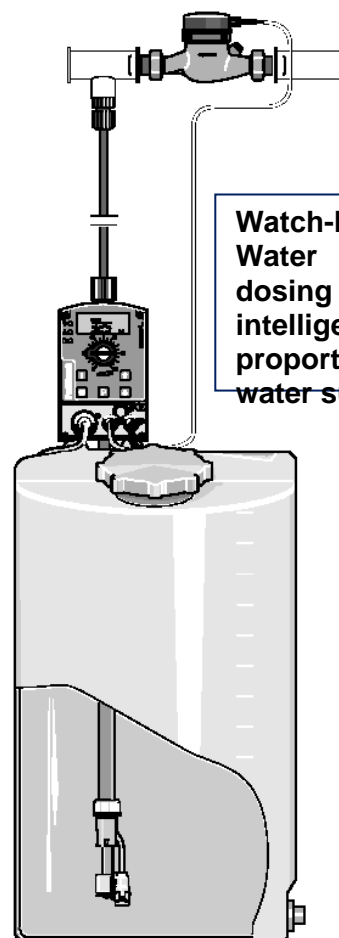
To optimize **I-SOFT[®]** dosing, Watch[®] Water offers a complete range of pulsing water meters. The water meter gives a visual

indication of the water usage and provides a volt-free pulse train to operate a dosing pump. A water meter is the most intelligent way to control the dosage of I-SOFT Antiscalant including oxygen scavengers and biocides for drinking water, boilers, cooling towers and any other applications. Watch offers a complete range of water meter as **K factors**.

(K = impulses/liter of flow)

APPLICATIONS

- Antiscalant dosing
- Corrosion Inhibition dosing
- Oxygen Scavenger dosing
- Biocides dosing
- SHP Disinfection dosing
- Flocculent dosing
- WLS Dosing



Watch-DOS ½" up to 6" Water Meter Controlled dosing pump, dosing intelligently and proportionately to the feed water supply.

MAKING FEED WATER FOR YOU!

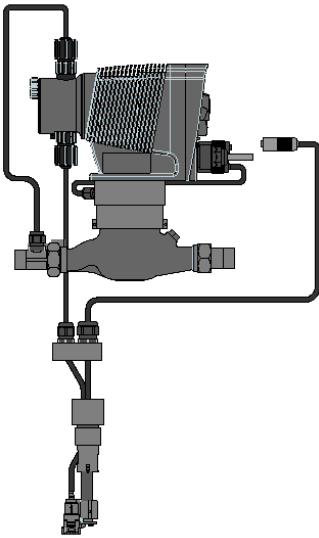
WATCH DOSING TECHNOLOGY

Leading Manufacturer of Dosing Solutions for Water Treatment

Watch-DOS PROPORTIONAL DOSING SYSTEMS

COMPACT

Dosing Unit



Proportional metering unit for the flow-dependent, adjustable metering of liquid media **I-SOFT**[®] in the drinking water sector, comprising a Beta[®] metering pump, contact water meter, suction fitting with foot valve and level switch, metering valve and metering line.

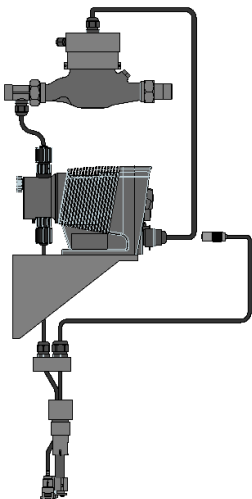
Version "**C**": Compact metering unit, metering pump fitted on the metering unit.

Watch-DOS type COMPACT	unit	IDC 5	IDC 10	IDC 20	IDC 30
Maximum flow Q max.	m ³ /h	5	11	16	27
Lower working limit	m ³ /h	0.05	0.08	0.13	0.24
Metering interval approx.	ml/stroke	0.7	1.1	1.8	2.8
Feed rate 50-100 %	ml/m ³	50 – 165	50 – 165	50 – 165	50 – 165
Max. operating pressure	bar	10	10	10	10
Metering pump type		BT4b 1000	BT4b 1601	BT4b 1602	BT4b 1604
		PPT2	PPT2	PPT2	PPT2
Meter connecting thread		G 1 B	G 1 1/4 B	G 2 B	G 2 1/2 B
Screw connector width		R 3/4	R 1	R 1 1/2	R 2
Length without thread	mm	190	260	300	270

DOSING OF DILUTED I-SOFT[®]

SPLIT

Dosing Unit



Version "**S**": Split metering system with wall brackets to accommodate the metering pump. Contact cable and PE metering line 2 m long. The contact water meter is installed horizontally.

Watch-DOS type SPLIT	unit	IDS 5	IDS 10	IDS 20	IDS 30
Maximum flow Q max.	m ³ /h	5	11	16	27
Lower working limit	m ³ /h	0.05	0.08	0.13	0.24
Metering interval approx.	ml/stroke	0.7	1.1	1.8	2.8
Feed rate 50-100 %	ml/m ³	50 – 165	50 – 165	50 – 165	50 – 165
Max. operating pressure	bar	10	10	10	10
Metering pump type		BT4b 1000	BT4b 1601	BT4b 1602	BT4b 1604
		PPT2	PPT2	PPT2	PPT2
Meter connecting thread		G 1 B	G 1 1/4 B	G 2 B	G 2 1/2 B
Screw connector width		R 3/4	R 1	R 1 1/2	R 2
Length without thread	mm	190	260	300	270

WATCH DOSING TECHNOLOGY

Leading Manufacturer of Dosing Solutions for Water Treatment

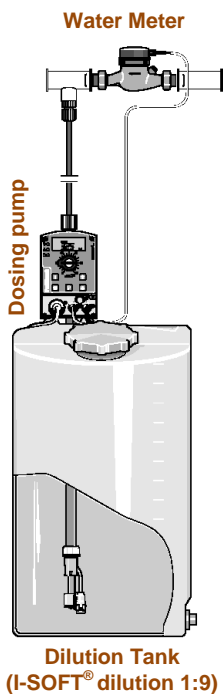
Watch - DOS

**Efficient
Economical
Eco-friendly**

Dosing System for Concentrated I-SOFT[®]

**Industrial
and
Commercial**

Dosing System

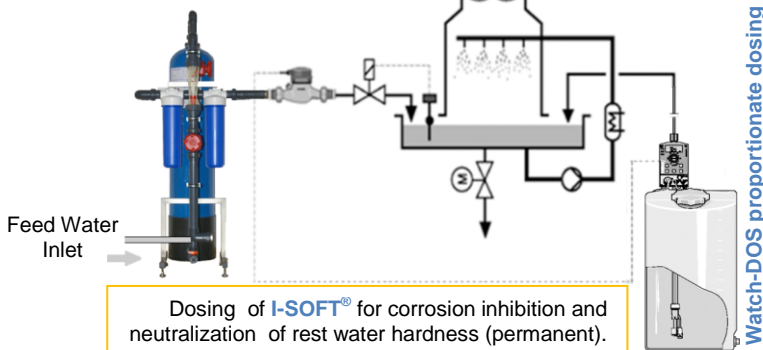


Once installed the IDCT dosing unit is initially filled with the desired volume of I-SOFT[®] concentrate (**recommended 1:9 dilution**) in the dosing tank. Dilution is done by allowing the makeup water to fill up with some pressure into the dosing tank leading to mix the I-SOFT[®] and filling of the reservoir. This compact dosing unit is designed for large industrial and commercial applications.

Watch-DOS System	unit								
Dilution Tank (Model)		IDCT 5	IDST 5	IDCT 10	IDST 10	IDCT 20	IDST 20	IDCT 30	IDST 30
Dilution Tank Volume	liter	300		300		300		300	
Watch-DOS type (water meter & dosing pump)		IDC 5	IDS 5	IDC 10	IDS 10	IDC 20	IDS 20	IDC 30	IDS 30
Maximum flow Q max.	m ³ /h	5		11		16		27	
Lower working limit	m ³ /h	0.05		0.08		0.13		0.24	
Metering interval approx.	ml/stroke	0.7		1.1		1.8		2.8	
Feed rate 50-100 %	ml/m ³	50 – 165		50 – 165		50 – 165		50 – 165	
Max. operating pressure	bar	10		10		10		10	
Metering pump type		BT4b 1000		BT4b 1601		BT4b 1602		BT4b 1604	
		PPT2		PPT2		PPT2		PPT2	
Meter connecting thread		G 1 B		G 1 1/4 B		G 2 B		G 2 1/2 B	
Screw connector width		R 3/4		R 1		R 1 1/2		R 2	
Length without thread	mm	190		260		300		270	

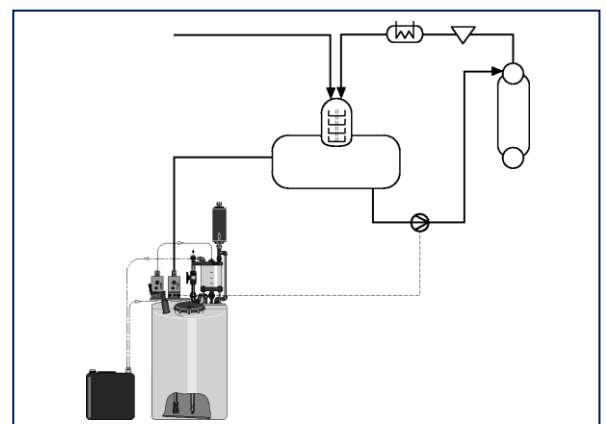
Why Concentrates? It reduces handling and transportation costs.

FILTERSORB[®] SP3 Unit installed at the feed water, neutralizing temporary water hardness.



Dosing of I-SOFT[®] for corrosion inhibition and neutralization of rest water hardness (permanent).

Dosing in Cooling Water



Dosing in Boiler Feed Water

WATCH DOSING TECHNOLOGY

Leading Manufacturer of Dosing Solutions for Water Treatment